

# OPERATION MANUAL



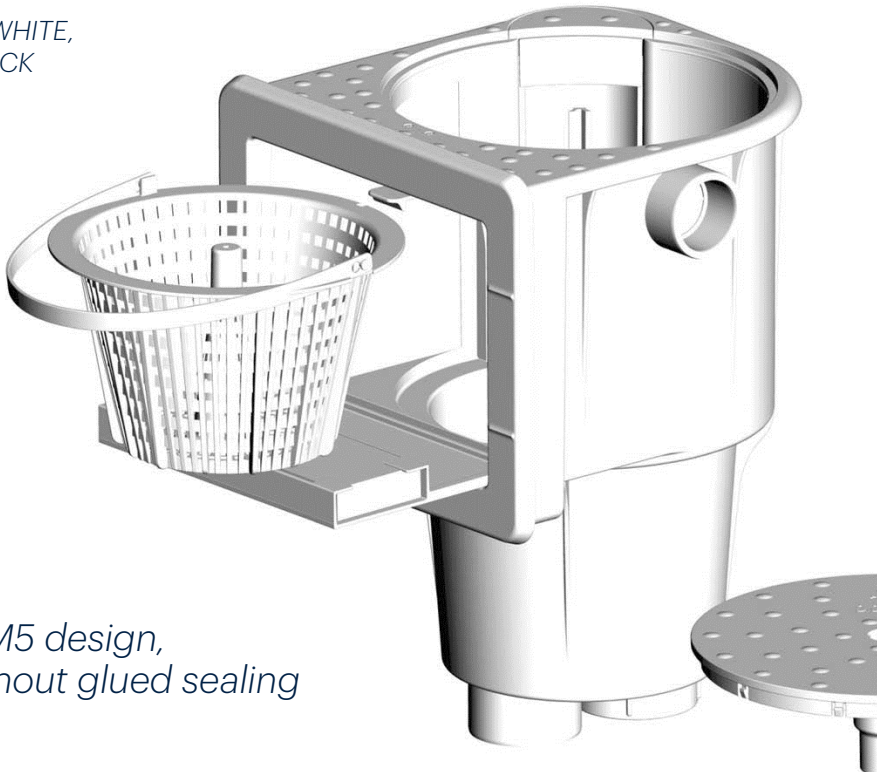
***Ocean***®

## **SKIMMER deluxe**

*Suitable for private, hotel and public pools*



AVAILABLE IN WHITE,  
GREY AND BLACK



*In PT and M5 design,  
with or without glued sealing*

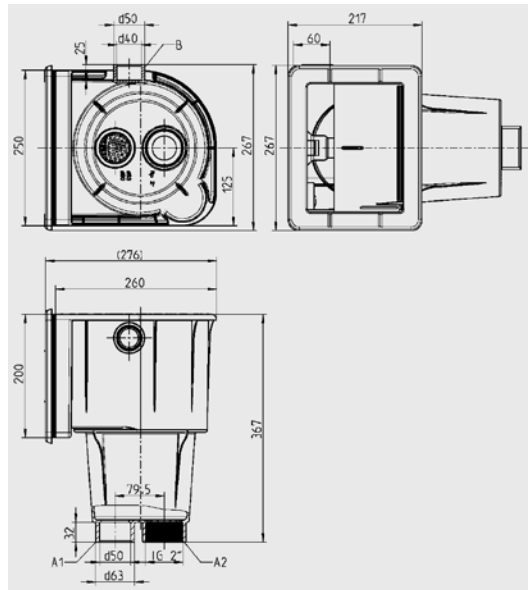
# 1. DIMENSIONS AND CONNECTIONS

## EXPLANATION OF THE SKIMMER CONNECTIONS

### A) PUMP CONNECTION

Possibilities to connect to the circulation pump:

- A1** metric glued connection ( d63 mm spigot, d50 mm socket) connection always open
- A2** 2" BSP internal to punch out



**CAUTION** Do not seal inner thread 2" with hemp!



### NOTICE

It's recommended to seal the thread with PTFE thread with gasket strips!

### B) OVERFLOW CONNECTION

This overflow connection allows excessive rain water to drain from the pool and prevent over flowing.

# 2. INSTALLATION OPTIONS

## SKIMMER FOR STEEL WALL AND POLYESTER POOLS

For steel wall pools exceeding a diameter of 3 m.  
Proceed to „skimmer installation in the pool wall“ if skimmer cut out exists.  
One has to varify wich model of the skimmer is being installed.

Distinguish between:           -) Ocean® Skimmer deluxe PT  
  -) Ocean® Skimmer deluxe M5

Use the protective installation foil as a template for cutting the skimmer opening into the wall.

## INSTALLATION INSTRUCTION

1. Glue protective installation foil onto the steel wall.
2. Drill holes according to one of the two patterns and cut skimmer opening out of wall (for example: compass saw, snips,...)
3. After having cut out the skimmer opening, remove protection foil.



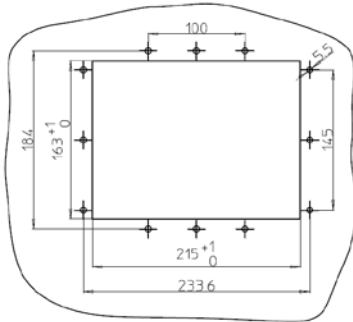
**CAUTION** Dabur sharp edges after cutting!



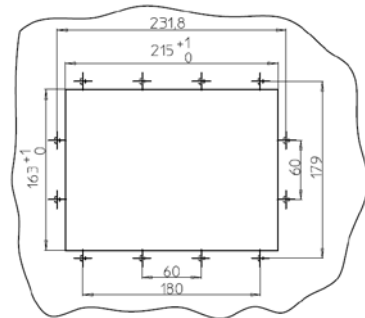
### NOTICE

It's recommended to seal the surface with corrosion protective colour.

OCEAN® Skimmer deluxe PT



OCEAN® Skimmer deluxe M5

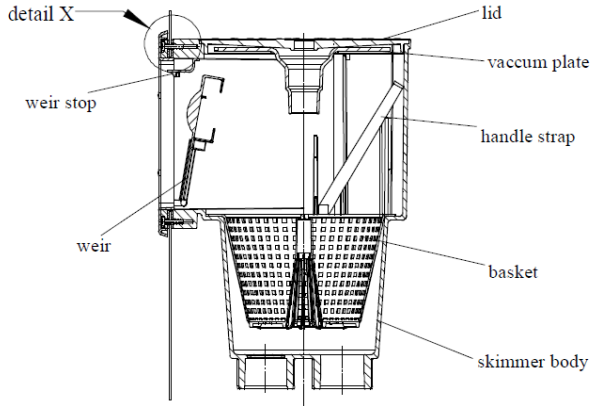


## SKIMMER INSTALLATION IN THE POOL WALL

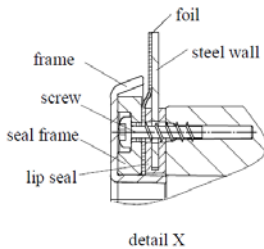
### INSTALLATION INSTRUCTION

1. Take pool liner carefully off the steel wall until the lip seal slides under the liner.
2. Install lip seal on steel wall (see beneath picture 1).
  - ! max. 500 RPM when using cordless power drill!
  - max. 2 Nm for tightening
3. Lay the pool liner over the lip seal, under no circumstances may the pool liner remain between the steel wall and the lip seal.
4. Screw seal frame and skimmer tight to the delivered TORX-screws.
5. Align the skimmer, screw it until the skimmer lies correctly to the steel wall (see detail X)
6. Push frame over seal frame.

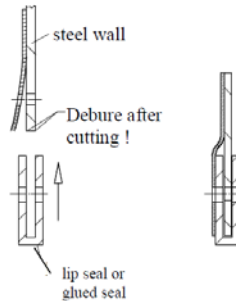
Picture 1



Detail Picture



Picture 2



## ACHTUNG

### INSTALLATION ADVICE FOR GLUED SEALING

Please see as above but use seal for glueing instead of lip seal.

Please note that for 170936 and 170937 only seal for glueing comes together with the set. In case of 2 are needed please order another sealing with Prod. No. 51317.

# SKIMMER FOR CONCRETE POOL

## INSTALLATION INSTRUCTION

1. Bring skimmer to desired position (extension ring if necessary).
2. Cover skimmer with protective construction foil.  
We recommend leaving the skimmer lid installed when the concrete is being poured.  
The extension ring can be adjusted (from 15 mm to about 35 mm).



## CAUTION

Watch for pressure, tension, twisting!



**NOTICE**

Take care about pressure and distortion especially in the area of the skimmer opening, so that the skimmer weir is always moving!

Chemical resistance data are only to be used as a guideline, as changes in the composition of the medium (i. premixed concrete, silicon, foam,...) and operating conditions may cause variations. Always perform a compatibility test if you are not certain about the materials. No warranty claims based on the published chemical resistance chart will be accepted. We believe that the data are up to date and we reserve the right to changes based on new information.

3. Install gasket between liner and skimmer body (see „skimmer installation in the pool wall“).



**CAUTION**

max. 500 RPM when using cordless power drill  
max. 2 Nm for tightening

4. Push frame over sela frame.

## INSTALLATION OF LEVEL SWITCH

1. Install level switch with bracket on the dovetail rib in skimmer body.
2. Install the lid with cable strain bushing by clipping it on to the body.



**NOTICE**

We recommend gluing the lid for level switch on to the skimmer body.

3. Push cable through strain relief bushing and connect to level control.
4. Insert the protective grating. Mind the correct installation!



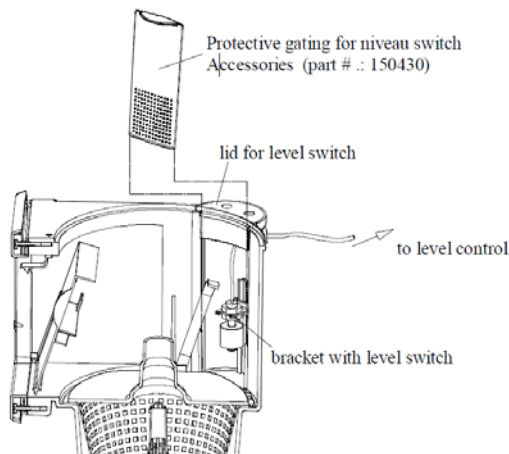
**CAUTION**

Always follow the national and regional installation and construction guidelines! Always perform a leak test before finishing the installation!

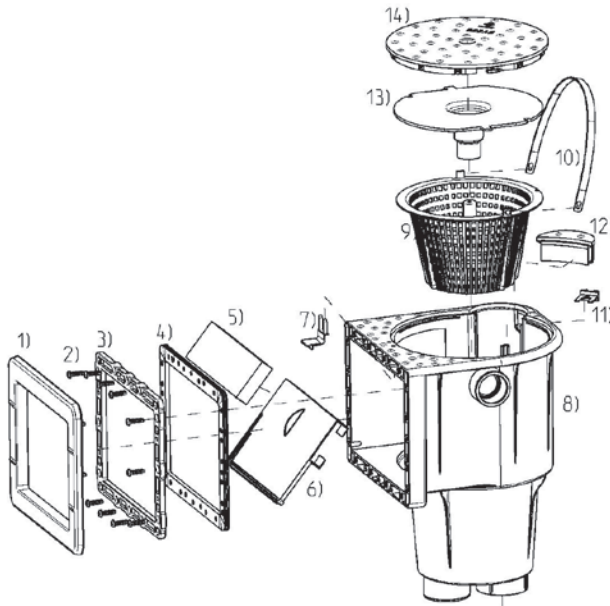


**NOTICE**

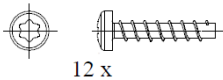
During installation of a niveau switch it is recommended to connect the overflow connection piece d50 or socket d40!



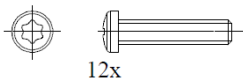
### 3. SKIMMER PARTS



- |    |                                     |                  |
|----|-------------------------------------|------------------|
| 1) | Ocean frame for skimmer             | part #. : 150385 |
| 2) | Ocean screw set PT<br>12x 25mm long | part #. : 80263  |



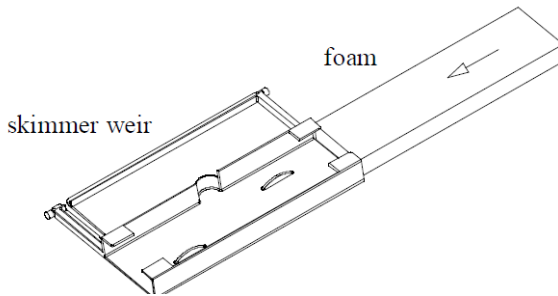
- |    |                                     |                 |
|----|-------------------------------------|-----------------|
| 2) | Ocean screw set M5<br>12x 25mm long | part #. : 80250 |
|----|-------------------------------------|-----------------|



- |        |  |                  |
|--------|--|------------------|
| 3)     | Ocean seal frame PT                        | part #. :150384  |
| 3)     | Ocean seal frame M5                        | part #. : 150401 |
| 4)     | Ocean lip seal for skimmer                 | part #. : 150386 |
| 4)     | Ocean seal (only 1 pce included)           | part #. : 51317  |
| 5+6)   | Ocean skimmer weir - complete              | part #. : 170587 |
| 7)     | Ocean skimmer weir stop                    | part #. : 150382 |
| 8)     | Body de Luxe PT                            | part #. : 150392 |
| 8)     | Body de Luxe M5                            | part #. : 190115 |
| 9+10)  | Ocean basket complete for skimmer          | part #. : 170597 |
| 11)    | Ocean bracket for level switch for skimmer | part #. : 150393 |
| 12+14) | Ocean lid complete for skimmer             | part #. : 170588 |
| 13)    | Ocean vacuum plate for skimmer             | part #. : 150383 |

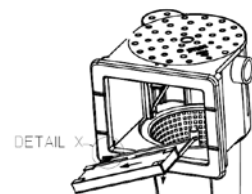
## SKIMMER WEIR

Installation of foam into the skimmer. Insert foam into skimmer weir



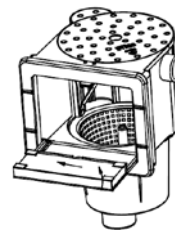
## INSTALLATION OF WEIR

1. Insert spring loaded weir hinge pins into skimmer body (Detail X)
2. Push the other end of the weir down wards until the pin snaps into place.
3. Lift „weir Stop“ up and swivel weir into skimmer.



## REMOVAL OF WEIR

1. Push „weir stop“ upward and swivel weir out.
2. Push weir to extreme left until the right pin is fully disengaged.
3. Lift right end up and take weir out.



## MARKING ON THE FRAME

The frame shows max/min markings for visual water level inspection. The ideal water level is 1/3 below the max. marking.



**CAUTION** Water level below min. marking may damage pump!

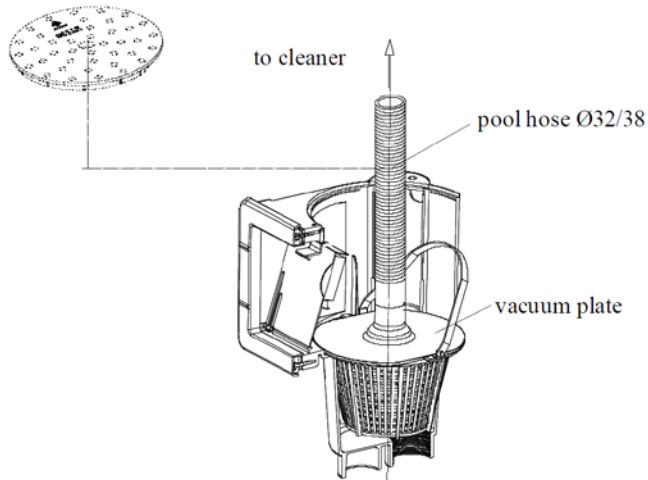


### NOTICE

If the water level gets closer to the lowest marking, special care regarding the flow rate has to be paid, as otherwise the circulating pump may be harmed.

With very small pumps with a low flow rate the surface stream can be raised by a reduction of the foam within th eskimmer weir.

## CONNECTION OF A POOL CLEANER



1. Take skimmer lid off.
2. Fill hose with water.
3. Connect hose to vacuum plate.
4. Put vacuum plate on to basket (see above).
5. Remove end cap from skimmer after cleaning the pump.
6. Clean basket.
7. Insert basket and push handle back.
8. Put lid back on skimmer.



### CAUTION

Do not leave vacuum plate without hose attached on basket in the skimmer with pump running!



..... **HEADOFFICE/EXPORT AUSTRIA** .....



+43 7435 58488-0

info@peraqua.com

www.peraqua.com

..... **SERVICE/LOGISTICS** .....



+49 91719677 1200

office.de@peraplas.com



+420 323 63 76-73

office.cz@peraplas.com